

4

3

2

1

D

D

C

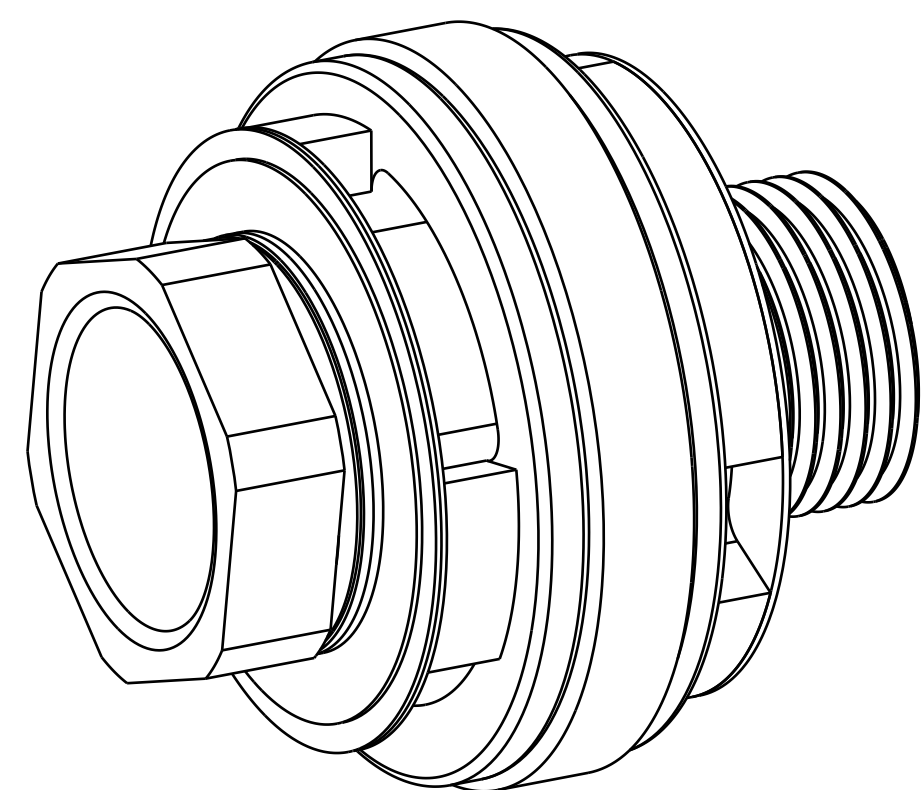
C

B

B

A

A



045-00-088
VALVE 10.7MM OD X 6.4MM ID X 0.10MM TH

(045-00-087)

045-00-087
VALVE 11.8MM OD X 6.4MM ID X 0.10MM TH

045-00-086
VALVE 12.2MM OD X 8.1MM ID X 0.15MM TH

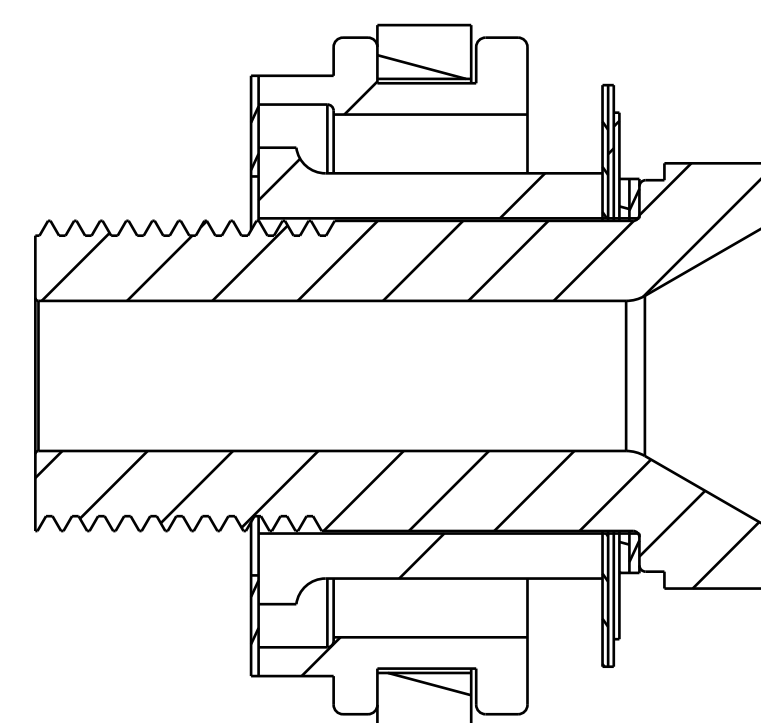
(045-00-090)

045-00-090
VALVE 8.0MM OD X 6.4MM ID X 0.20MM TH

210-22-314
Damp Adj Part: Bolt, Rebound Piston, 010 RL-RLC

222-01-245
Piston, Rebound, 0.563 Bore, 2013-14 FIT CTD

002-02-025
Bearing: External Ring, Piston, Glide, Turcite, Z-Cut [0.561 OD X 0.043 CS]



SECTION A-A

FOX FOX Factory, Inc. Ph 831-768-1100
130 Hangar Way, Watsonville, CA 95076 USA Fax 831-768-9312

TITLE
**2014 FIT 831
Main Piston Assy**

SIZE DWG. NO.
C 820-03-429-KIT

PLOT SCALE 3.00:1 SHEET 1 OF 1

PROPRIETARY
THIS DOCUMENT CONTAINS CONFIDENTIAL, PROPRIETARY INFORMATION
THAT IS FOX PROPERTY. DO NOT DISCLOSE TO OR DUPLICATE
FOR OTHERS EXCEPT AS AUTHORIZED BY FOX.

4

3

2

1